

CP Series Hydraulic Condensate Pots are designed and configured in six layouts. Refer to POT Configuration.

DK-LOK "CP" Series HYDRAULIC CONDENSATE POT

"CP" series Condensate Pot Part Listing

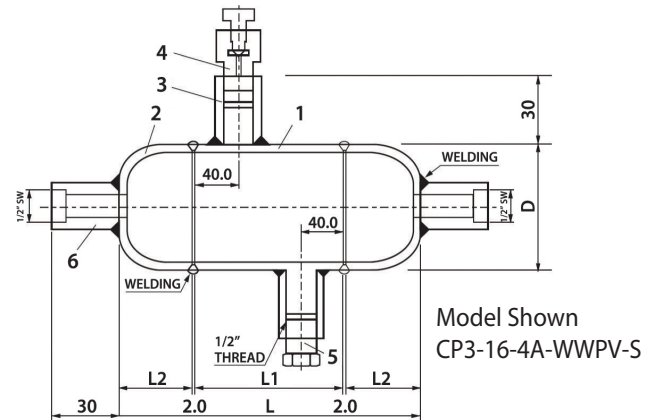
1	PIPE
2	CAP
3	HALF COUPLING (CHC)
4	VENT PLUG (CVP)
5	HEX HEAD PLUG (CHP)
6	SOCKET WELDING HALF COUPLING (CHCSW)

Table of Dimensions

Unit: mm

PIPE	D ANSI Pipe	L	L1*	L2
3"	88.9	214	110	50
4"	114.3	360	229	63.5

* L1 length is adjustable to fit client's requirements.



Ordering Information

To order CP Series, prefix "CP" and build up an ordering number by combining the designators in the sequence below.
An example of ordering number: CP3 or CPJ3-16-4A-WWPV-S

CP3 or CPJ3

-16

-4A

-WWPV

-S

ANSI Pipe Designator

Designator	Pipe OD
2	2" ANSI 60.32 mm
3	3" ANSI 88.90 mm
4	4" ANSI 114.30 mm

JIS Pipe Designator

Designator	Pipe OD
J2	2" JIS 60.5 mm
J3	3" JIS 89.1 mm
J4	4" JIS 114.3 mm

Pipe Schedule

Designator	Pipe SCH
4	SCH40
8	SCH 80
16	SCH 160
X	SCH XXS

POT Configuration

Designator	Configuration
2A	
2B	
3A	
3B	
3C	
4A	

POT End Connections

End connectors are described by first the run (1 and 2) and next the branch (3 and 4).	End Connection	Designator
	1/2" NPT Female	N
	1/2" PT Female	R
	1/2" SW Socket Weld	W
	1/2" DK-LOK	D
	Vent Plug (CVP)	V
	Hex head plug (CHP)	P

* Fitting Class on end connection is selected as per the Pipe Schedule Rating.

Pipe Material

MATERIAL	Designator
ASTM A312-TP304	4
ASTM A312-TP304L	4L
ASTM A312-TP316	S
ASTM A312-TP316L	L
ASTM A335-P11	C11
ASTM A335-P22	C22
ASTM A106 Grade B	CB

4. Inlet Port

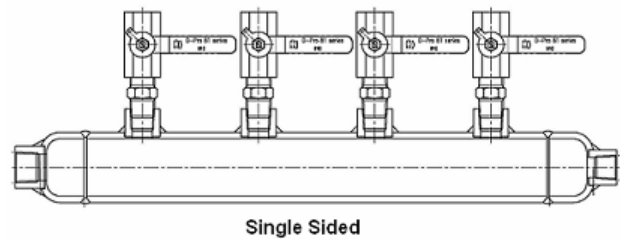
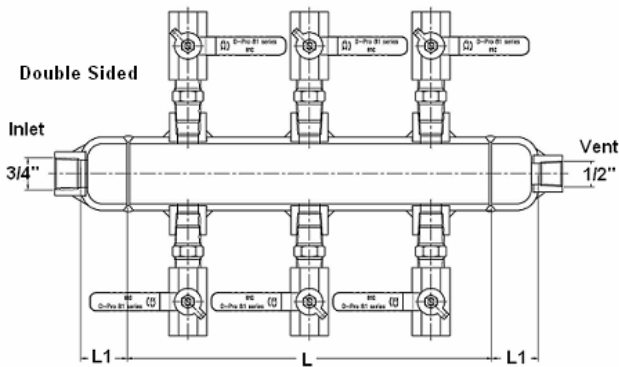
Table A: Type and Size of Inlet Port

S.No.	Size		1/4"	3/8"	1/2"	3/4"	1"
	Size Designator		4	6	8	12	16
1	DK-LOK Tube Fitting OD Designator		D4T	D6T	D8T	D12T	D16T
2	Male Tapered Pipe Thread Designator	NPT	M4N	M6N	M8N	M12N	M16N
		ISO228-1	M4R	M6R	M8R	M12R	M16R
3	Female Tapered Pipe Thread Designator	NPT	F4N	F6N	F8N	F12N (1)	F16N
		BSPT	F4R	F6R	F8R	F12R	F16R
4	Needle valve Designator	N	Select out of above 1 thru. 3. i.e., ND4T-				
5	Ball valve Designator	B	Select out of above 1 thru. 3. i.e., BM8N				

(1) No designator is required in case F12N is inlet port.

5. Outlet Port Configuration

Outlet Port Configuration	Designator
Double sided	D
Single sided	S



6. Number of Outlet Ports

Select 2 to 20.

7. Outlet port type and size

Select from Table A.

8. Vent Port

No designator is required in case F8N is vent port. For others, select from Table A.

J Series Air Distribution Manifolds are designed and configured in any layout to fit the application as per client's requirements.



Factory Test

- 100% pressure tested
- PT test standard
- RT test an option

Cleaning

- Stainless steel pickled & passivated.
- Carbon steel cleaned & galvanized.

Features and Ordering Information

To order J Series, prefix "J" and build up an ordering number by combining the designators in the sequence below.

1. Manifold Pipe Size

Pipe Size	Designator
1"	1
2"	2
3"	3
4"	4

2. Pipe Schedule

Pipe SCH	Designator
SCH40	4
SCH80	8
SCH160	16
SCH XXS	X

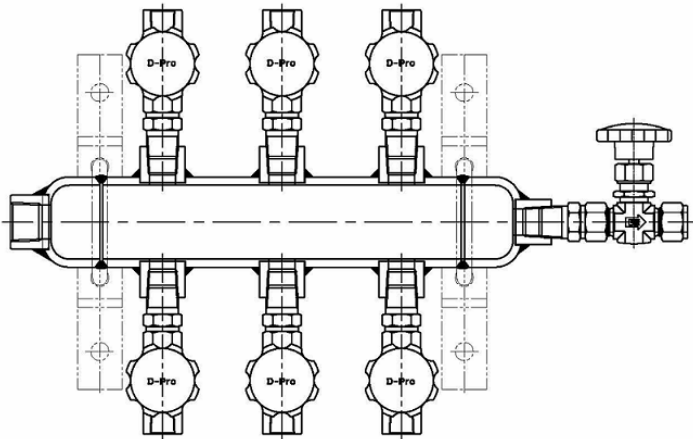
3. Pipe Material

Material	Designator
Carbon Steel	C
SS316	S
SS316L	L
SS304	4
SS304L	4L

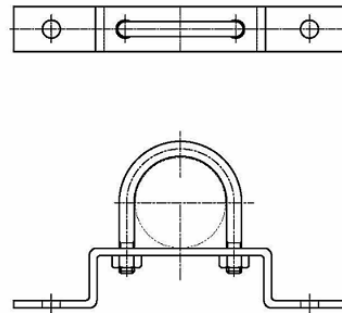
Ordering information with an example of "J28S-D8NF8N-BD8TB".

To order J series, prefix "J"	J	
1. Manifold Pipe Size: 2"	2	
2. Pipe Schedule: SCH80	8	
3. Pipe Material: SS316	S	
	-	
4. Inlet Port: 3/4" FNPT	Nil	
5. Outlet Port Configuration : Double Sided	D	
6. Number of Outlet Ports: 8 numbers	8	
7. Type and Size of Outlet Ports: Needle Valve 1/2" Female NPT	NF8N	
	-	
8. Vent Port: Ball Valve 1/2" DK-LOK Tube Fitting	BD8T	
9. Material: Select an applicable material designator of fittings and/or valves on 4. Inlet Port, 5. Outlet Ports and 8. Vent Port.	B	
Designator		Material
S		SS316
C		Carbon Steel
B		Brass

J Series Mounting Bracket



Mounting Bracket: JMTB



Ordering Number of JMTB Series Mounting Bracket

Pipe Size	Basic Ordering #	Bracket Material
1	JMTB-1-	
2	JMTB-2-	S: Stainless Steel
3	JMTB-3-	C: Carbon Steel
4	JMTB-4-	

- 2 sets of mounting brackets are supplied for one unit of J Series manifold.

Two (2) sets of Mounting Bracket consists of ;

- U-Bolt x 2
- Nut x 4
- Washer x 4
- Bracket x 2

