

**J Series** Air Distribution Manifolds are designed and configured in any layout to fit the application as per client's requirements.



**Factory Test**

- 100% pressure tested
- PT test standard
- RT test an option

**Cleaning**

- Stainless steel pickled & passivated.
- Carbon steel cleaned & galvanized.

**Features and Ordering Information**

To order J Series, prefix "J" and build up an ordering number by combining the designators in the sequence below.

**1. Manifold Pipe Size**

Pipe Size	Designator
1"	1
2"	2
3"	3
4"	4

**2. Pipe Schedule**

Pipe SCH	Designator
SCH40	4
SCH80	8
SCH160	16
SCH XXS	X

**3. Pipe Material**

Material	Designator
Carbon Steel	C
SS316	S
SS316L	L
SS304	4
SS304L	4L

**4. Inlet Port**

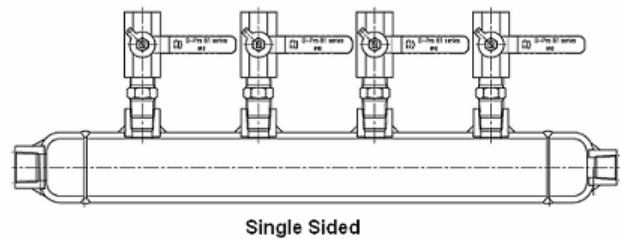
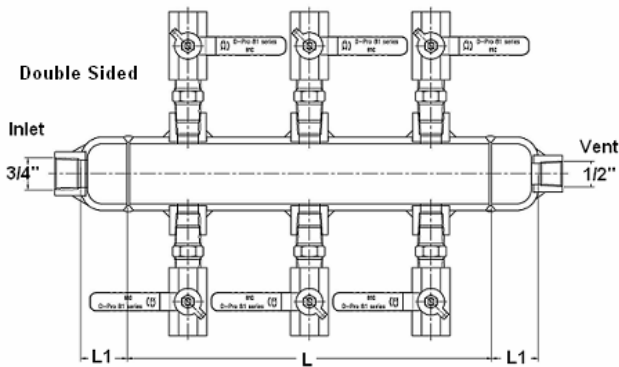
Table A: Type and Size of Inlet Port

S.No.	Size		1/4"	3/8"	1/2"	3/4"	1"
	Size Designator		4	6	8	12	16
1	DK-LOK Tube Fitting OD Designator		D4T	D6T	D8T	D12T	D16T
2	Male Tapered Pipe Thread Designator	NPT	M4N	M6N	M8N	M12N	M16N
		ISO228-1	M4R	M6R	M8R	M12R	M16R
3	Female Tapered Pipe Thread Designator	NPT	F4N	F6N	F8N	F12N (1)	F16N
		BSPT	F4R	F6R	F8R	F12R	F16R
4	Needle valve Designator	N	Select out of above 1 thru. 3. i.e., <b>ND4T-</b>				
5	Ball valve Designator	B	Select out of above 1 thru. 3. i.e., <b>BM8N</b>				

(1) No designator is required in case F12N is inlet port.

**5. Outlet Port Configuration**

Outlet Port Configuration	Designator
Double sided	D
Single sided	S



**6. Number of Outlet Ports**

Select 2 to 20.

**7. Outlet port type and size**

Select from Table A.

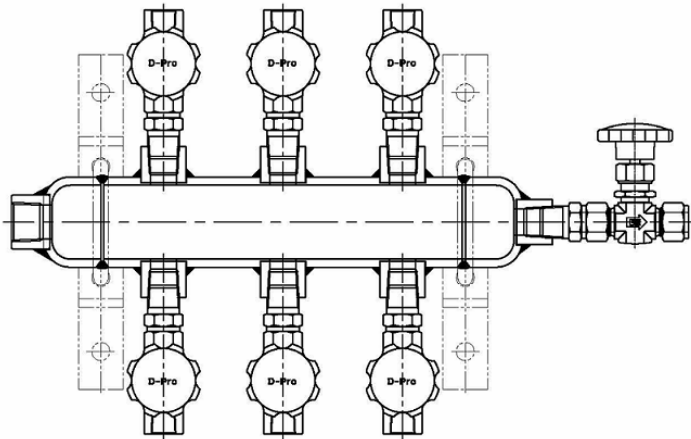
**8. Vent Port**

No designator is required in case F8N is vent port. For others, select from Table A.

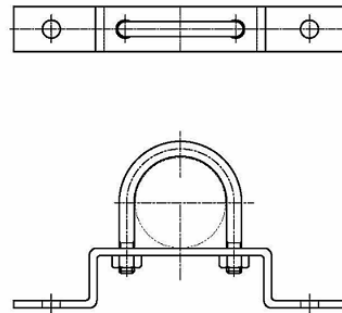
Ordering information with an example of "J28S-D8NF8N-BD8TB".

To order J series, prefix "J"	J	
1. Manifold Pipe Size: 2"	2	
2. Pipe Schedule: SCH80	8	
3. Pipe Material: SS316	S	
	-	
4. Inlet Port: 3/4" FNPT	Nil	
5. Outlet Port Configuration : Double Sided	D	
6. Number of Outlet Ports: 8 numbers	8	
7. Type and Size of Outlet Ports: Needle Valve 1/2" Female NPT	NF8N	
	-	
8. Vent Port: Ball Valve 1/2" DK-LOK Tube Fitting	BD8T	
9. Material: Select an applicable material designator of fittings and/or valves on 4. Inlet Port, 5. Outlet Ports and 8. Vent Port.	B	
Designator		Material
S		SS316
C		Carbon Steel
B		Brass

**J Series Mounting Bracket**



Mounting Bracket: JMTB



Ordering Number of JMTB Series Mounting Bracket

Pipe Size	Basic Ordering #	Bracket Material
1	JMTB-1-	
2	JMTB-2-	S: Stainless Steel
3	JMTB-3-	C: Carbon Steel
4	JMTB-4-	

- 2 sets of mounting brackets are supplied for one unit of J Series manifold.

Two (2) sets of Mounting Bracket consists of ;

- U-Bolt x 2
- Nut x 4
- Washer x 4
- Bracket x 2

